



PRODUCTS CATALOG

ELECTRICAL ENCLOSURES & MODULAR CABINETS



20

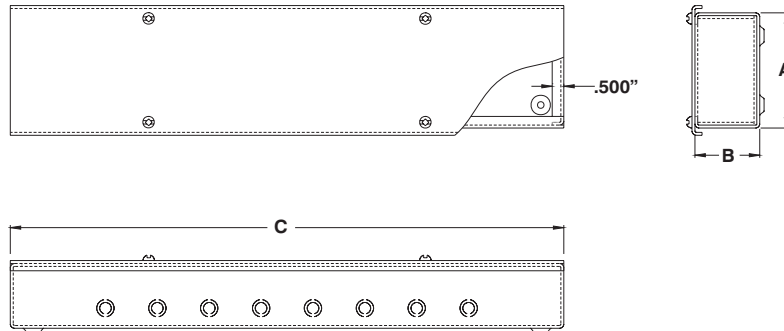
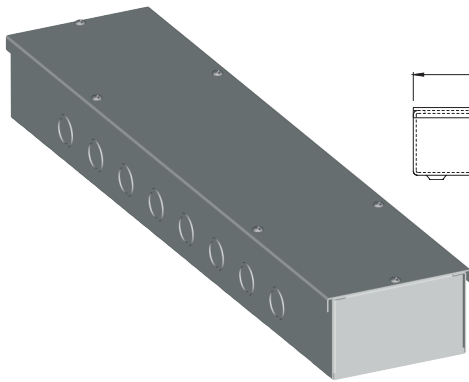
exmweb.com

The 1100 WDAL are used as junction or pull boxes, and are suitable for surface mounting with a screw cover. Boxes and covers are made of high quality 12 GA aluminium. Four internal mount-

ing holes, bonding screw and attachments are provided. Troughs are available with or without knockouts (add suffix "N" to the catalog number if knockouts are not required). Boxes and cov-

ers have a natural aluminum finish.

CSA Certified
NEMA/EEMAC 1 / IP30



CATALOG NUMBER	DIMENSIONS			SHIP WGHT LBS.
	A	B	C	
1100 WDAL050312	5	3	12	1
1100 WDAL050318	5	3	18	2
1100 WDAL050324	5	3	24	2
1100 WDAL050336	5	3	36	3
1100 WDAL050348	5	3	48	5

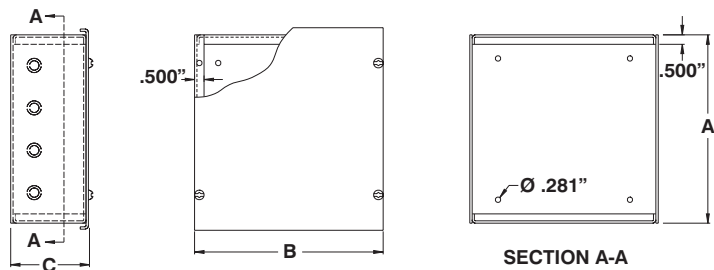
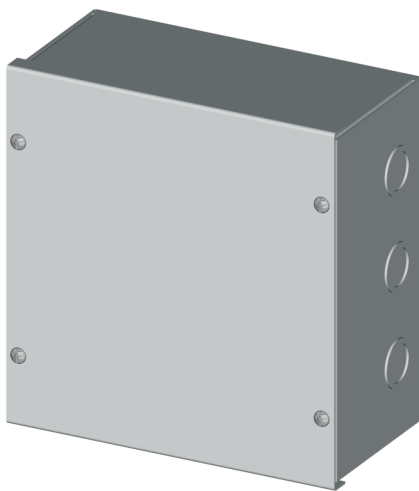
Note: Type WDAL & DAL troughs are also available without knockouts, as series 1100 DAL...N. (i.e.: 1100 DAL080804N)

The 1100 DAL are used as junction or pull boxes and are suitable for surface mounting with a screw cover. Boxes and covers are made of high quality 12 GA alu-

minium. Four internal mounting holes, bonding screw and attachments are provided. Two sides have concentric knockouts (1/2" - 3/4" knockouts are standard).

Boxes and covers have a natural aluminum finish.

CSA Certified
NEMA/EEMAC 1 / IP30



CATALOG NUMBER	DIMENSIONS			SHIP WGHT LBS.
	A	B	C	
1100 DAL060603	6	6	3	1
1100 DAL060604	6	6	4	1
1100 DAL080804	8	8	4	2
1100 DAL101004	10	10	4	2
1100 DAL121204	12	12	4	3
1100 DAL060606	6	6	6	1
1100 DAL080806	8	8	6	2
1100 DAL101006	10	10	6	2
1100 DAL120606	12	6	6	2
1100 DAL121206	12	12	6	3

Note: Type WDAL & DAL troughs are also available without knockouts, as series 1100 DAL...N. (i.e.: 1100 DAL080804N)